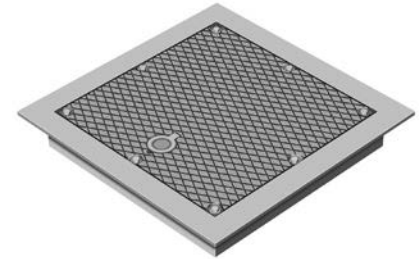
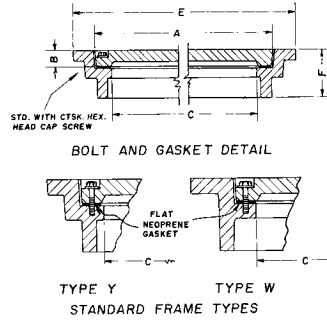
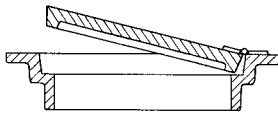


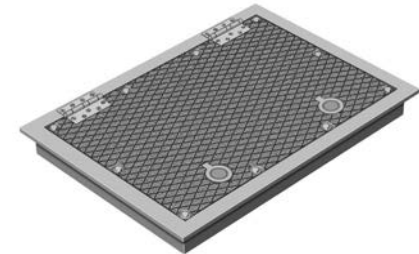
**R-6665-2 to R-6665-3 Series
Manhole Frame, Bolted/Gasketed Lid**

Heavy Duty

TYPE "R" BUTT HINGES



Illustrating R-6665-2LP



Illustrating R-6665-3JHP

Square and rectangular sizes in this series furnished standard with countersunk stainless steel flat head cap screws, flat neoprene gasket, Type G lift handle and, when so indicated, Type R stainless steel butt hinge.

NOTE: Some heavier lids may have bottom ribs that extend below the base of the frame. If this would cause a problem in your installation, advise when ordering. Units are shipped assembled with gasket glued to frame.

The specific location and number of hinges, handles and pickholes on these units may vary depending on the size and shape of the lids, and may not be exactly as illustrated. If the location and number of hinges, handles or pickholes is critical on your particular project, please specify requirements.

Catalog No. Not Hinged	Catalog No. Steel Butt Hinge	Dimensions in inches					No. of Bolts	Frame Type
		A	B	C	E	F		
Square								
R-6665-2AP	R-6665-2AH	12 1/4 x 12 1/4	1	11 1/2 x 11 1/2	15 x 15	6	4	Y
R-6665-2BP	R-6665-2BH	13 3/4 x 13 3/4	1 1/2	12 x 12	18 x 18	4	4	W
R-6665-2CP	R-6665-2CH	18 x 18	1 1/2	16 x 16	22 x 22	4	4	W
R-6665-2EP	R-6665-2EH	20 x 20	1 1/2	18 x 18	24 x 24	4	4	W
R-6665-2GP	R-6665-2GH	21 1/2 x 21 1/2	1 1/2	20 x 20	26 x 26	4	4	W
R-6665-2HP	R-6665-2HH	23 1/2 x 23 1/2	1 1/2	21 x 21	28 x 28	4	8	W
R-6665-2JP	R-6665-2JH	25 1/4 x 25 1/4	1 3/4	22 x 22	31 1/2 x 31 1/2	4	8	Y
R-6665-2KP	R-6665-2KH	25 3/4 x 25 3/4	1 1/2	23 x 23	30 x 30	4	8	W
R-6665-2LP	R-6665-2LH	27 x 27	2	24 x 24	33 1/2 x 33 1/2	4	8	Y
R-6665-2MP	R-6665-2MH	27 1/2 x 27 1/2	1 1/2	25 x 25	32 x 32	4	8	W
R-6665-2NP	R-6665-2NH	29 1/2 x 29 1/2	1 1/2	27 x 27	34 x 34	4	8	W
R-6665-2OP	R-6665-2OH	30 x 30	1 3/4	27 x 27	34 x 34	4	8	Y
R-6665-2PP	R-6665-2PH	31 1/2 x 31 1/2	1 1/2	29 x 29	37 x 37	4	8	Y
R-6665-2RP	R-6665-2RH	37 1/8 x 37 1/8	1 1/2	34x34	42x42	4	12	W
R-6665-2TP	R-6665-2TH	50 x 50	1 1/2	47 x 47	56 x 56	4	16	Y
Rectangular								
R-6665-3AP	R-6665-3AH	14 x 20	1 1/2	11 x 17	18 x 24	4	6	W
R-6665-3BP	R-6665-3BH	13 1/2 x 25 1/2	1 1/2	11 x 23	18 x 30	4	6	W
R-6665-3CP	R-6665-3CH	19 1/2 x 25 1/2	1 1/2	17 x 23	24 x 30	4	8	W
R-6665-3DP	R-6665-3DH	19 1/2 x 31 1/2	1 1/2	17 x 29	24 x 36	4	8	W
R-6665-3E1P	R-6665-3E1H	20 x 44	1 1/2	17 x 41	24 x 48	4	10	Y
R-6665-3EP	R-6665-3EH	19 3/4 x 37 3/4	1 1/2	17 x 35	24 x 42	4	10	W
R-6665-3FP	R-6665-3FH	22 x 32	1 1/4	19 x 29	26 x 36	4	8	Y
R-6665-3HP	R-6665-3HH	26 x 32	1 1/2	23 x 29	30 x 36	4	8	Y
R-6665-3JP	R-6665-3JH	25 1/2 x 37 1/2	1 1/2	23 x 35	30 x 42	4	10	W
R-6665-3KP	R-6665-3KH	25 3/4 x 49 3/4	1 1/2	23 x 47	30 x 54	4	12	W
R-6665-3NP	R-6665-3NH	31 1/2 x 49 1/2	1 1/2	29 x 47	36 x 54	4	16	W
R-6665-3O1P	R-6665-3O1H	38 x 50	1 1/2	35 x 47	44 1/2 x 56 1/2	4	14	W
R-6665-3OP *	R-6665-3OH *	36 x 60	1 3/8	33 x 57	40 x 64	6	16	Y

* Frame in sections bolted at corners.